

# FLOOD SERIES FL5 2 MODULE



### Product Description

ALLED offers the industry's smartest, toughest and best LED flood lighting solutions.

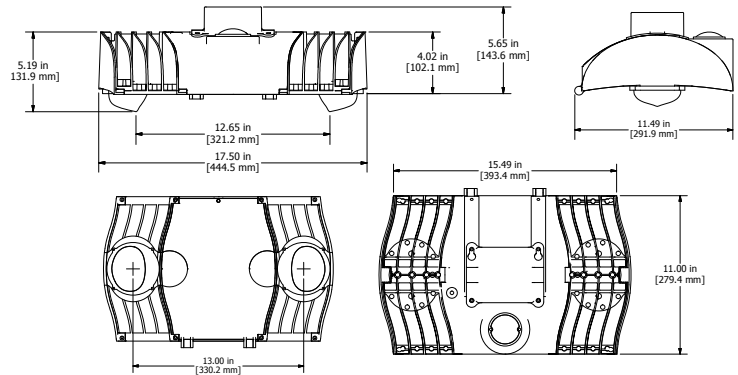
The revolutionary design of the RAYdiant system delivers unprecedented levels of simplicity, scalability, and cost-efficiency in LED lighting operation and maintenance. With a wide range of luminaire models to replace any site, spot or area application up to 1000 watts, the RAYdiant system features the most powerful, intelligent, resilient and reliable LED lighting solution on the market today!

The ALLED FL5 is a perfect solution for any general lighting application such as parking, spot and exterior building illumination.

### Comparison

Current Fixture Wattage	ALLED Fixture Wattage
150 watt Metal Halide	56 watts
250-400 watt Metal Halide	105 watts

### Product Dimensions (2 LEMs - 18 lbs)



### Ordering Information

Model	Series	Wattage	Voltage	Lens Optics	Color Temperature	Finish	Surge	Control*	Control Options (if applicable)	Photoeye*	Options*
FL5	02	56w 105w	1	T3	4000K	BL	10K	NC	ATB	NP	1APM
			2	Type III	5000K	Black	10Kv Surge Protection (standard)	None	Automatic Timer Board (Factory pre-set)*	No Photoeye	One Adjustable Pivot Arm Module (consult factory)
			3	Type IV		BR	20Kv Surge Protection*	WC	ALL	DPS	IP67
			100~277V	Type V		OW			PCR3		
			347V*							PCR7	
			480V*								

- Any selection with (\*) is additional cost/charge
- Choice of ordering through above Ordering Info or refer to Quick Ordering Guide

# FLOOD SERIES

## FL5 2 MODULE

Model	Lumens	Lumens / watt	CRI
FL5-02 (56W)	7,105	118.6	80+
FL5-02 (105W)	11,171	108.5	80+

### Construction

- Pressure die cast aluminum housing
- Tool-less entry
- Level adjustment 0° to 45°
- Open air/pass-through module enables full moisture and debris flow through and passive chimney “air-flow” cooling of LED chip
- No mechanical or fan cooling of light engines

### Finish

- Salt-resistant Dupont SD Polyester powder coat
- Dual salt-resistant powder coats for enhanced protection in marine environments
- Meets 6000 hours of salt-spray test
- Available colors: Black, Bronze, Gray, White and custom [Consult factory]

### Light Engine Module & Optical Assembly

- Light engine modules (LEMs) provide the most efficient LED heat reduction thermal path built into the design to allow for passive “air-flow” heat dissipation
- Fully scalable up to 4 LEMs
- Utilizes high-quality Nichia High Brightness COB LED
- Multi-directional lens optics, with 90°, 180°, 270° and 360° rotation capability, provides for directional light distribution and customization of light patterns
- Optional adjustable 360° module pivot adapter provides unparalleled flexibility to customize light distribution around obstructions and light exactly where it is needed
- High impact resistant Borosilicate glass lens optics prevent potential yellowing over time
- Standard 4000K and 5000K +/- 200 color temperature
- Standard 80+ CRI [for higher/lower CRI consult factory]

### Electrical

- 100~277V 50/60Hz and optional 347V/480V 60Hz available
- System power factor >0.9 and THD <20%
- Terminal block for power input suitable for #8 - #18 AWG wire
- Integral surge protection:
  - For 100~277VAC per IEEE/ANSI C62.41.2, 10kV
- Ambient operating temperature from -40° to 70°C

### Qualifications & Ratings

- UL/cUL Listed
  - suitable for wet locations
- RoHS Compliant
- IP65 standard rating with optional IP67 rating available
- IP67 standard for LEM assembly
- 3G bridge and overpass vibration-rated per ANSI C136.31
- Compliant with FCC Part 15, Subpart B, Class A & B
- Projected Lumen Maintenance at 25°C ambient is >150,000 calculated L<sub>70</sub> hours per TM-21
- Made in USA
- ARRA Compliant

### Warranty

- 10 year limited warranty

### OPTIONS

#### Controls

- Available with patented ALLink fully-integrated, adaptive wireless monitoring and control system
  - Includes ALLED’s patented digital photo sensor
  - Available 0-100% dimming
  - [Coming Soon] Smart metering and intelligent surge protection and notification features
- Available with patented ATB [Automated Timer Board] for factory set dimming in dusk to dawn applications
  - Alternative and inexpensive method to further energy savings
  - Includes ALLED’s patented digital photo sensor
  - Available 10-100% dimming
  - Can dim to a preset level after a pre-specified number of hours
    - Available range from 2 to 17 hours in one hour increments

#### Mounting

- U-mount bracket

#### Accessories

- Backlight Shield
  - A shield meant for aiming light Forward from the luminaire
- Full BUG Shield [Coming Soon]
  - A shield meant for creating zero amount of backlight, upright or glare for Dark Skies compliance

### ALLED Lighting Systems

101 Randolph Street | Ellwood City, PA 16117  
724.752.0326 | www.alled.co

Making **Green** Brighter!™

