

CANOPY SERIES

CL5 1 MODULE



Product Description

ALLED offers the industry's smartest, toughest and best LED parking garage and canopy lighting solutions.

Structural elements including large pillars and cross beams can make it particularly challenging to effectively and efficiently illuminate parking garages, often requiring strategic lighting configurations. With RAYdiant's multi-directional lens optics, you can better direct the light around structures, getting the customized light configuration and output any parking garage requires.

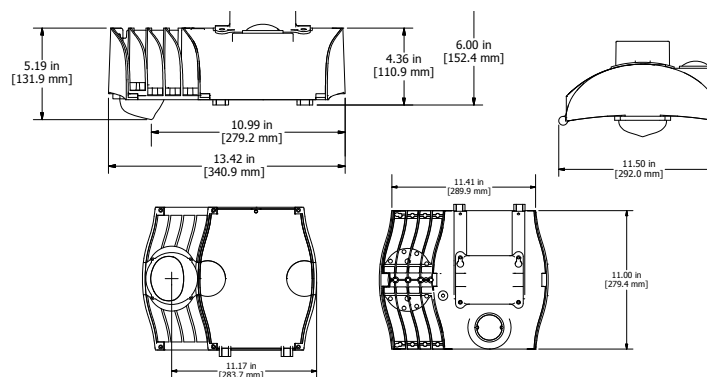
The revolutionary design of the RAYdiant system delivers unprecedented levels of simplicity, scalability, and cost-efficiency in LED lighting operation and maintenance. With a wide range of luminaire models to replace any parking garage or canopy lighting application up to 400 watts, the RAYdiant system features the most powerful, intelligent, resilient and reliable LED lighting solution on the market today!

The ALLED CL5 is a perfect solution for parking garage and canopy applications.

Comparison

Current Fixture Wattage	ALLED Fixture Wattage
70 watt Metal Halide	28 watts
100 watt Metal Halide	37 watts

Product Dimensions (5 lbs)



Ordering Information

Model	Series	Wattage	Voltage	Lens Optics	Color Temperature	Finish	Surge	Control*	Control Options (if applicable)	Photoeye*	Options*
CL5	01	28w	1	T3	4000K	BL	10K	NC	ATB	NP	1APM
		37w	100~277V	Type III	5000K	Black	10Kv Surge Protection (standard)	None	Automatic Timer Board (Factory pre-set)*	No Photoeye	One Adjustable Pivot Arm Module (consult factory)
			2	Type IV		BR					
3	Type V	GR	20Kv	WC	ALL	DPS	IP67				
			480V*			OW	20Kv Surge Protection*	With Control	ALL Link Wireless Monitoring & Control*	PCR3	IP67 Rating
										PCR7	
										NEMA 3-Pin Twist Lock Photo Control Receptacle	
										NEMA 7-Pin Twist Lock Photo Control Receptacle	

• Any selection with (*) is additional cost/charge
 • Choice of ordering through above Ordering Info or refer to Quick Ordering Guide

CANOPY SERIES

CL5 1 MODULE

Model	Lumens	Lumens / watt	CRI
CL5-01 (28W)	3,335	119.1	80+
CL5-01 (37W)	4,331	114.0	80+

PRODUCT SPECIFICATIONS

Construction

- Pressure die cast aluminum housing
- Tool-less entry
- Level adjustment 0° to 45°
- Open air/pass-through module enables full moisture and debris flow through and passive chimney “air-flow” cooling of LED chip
- No mechanical or fan cooling of light engines

Finish

- Salt-resistant Dupont SD Polyester powder coat
- Dual salt-resistant powder coats for enhanced protection in marine environments
- Meets 6000 hours of salt-spray test
- Available colors: Black, Bronze, Gray, White and custom [Consult factory]

Light Engine Module & Optical Assembly

- Light engine modules (LEMs) provide the most efficient LED heat reduction thermal path built into the design to allow for passive “air-flow” heat dissipation
- Fully scalable up to 2 LEMs
- Utilizes high-quality Nichia High Brightness COB LED
- Multi-directional lens optics, with 90°, 180°, 270° and 360° rotation capability, provides for directional light distribution and customization of light patterns
- Optional adjustable 360° module pivot adapter provides unparalleled flexibility to customize light distribution around obstructions and light exactly where it is needed
- High impact resistant Borosilicate glass lens optics prevent potential yellowing over time
- Standard 4000K and 5000K +/- 200 color temperature
- Standard 80+ CRI [for higher/lower CRI consult factory]

Electrical

- 100~277V 50/60Hz and optional 347V/480V 60Hz available
- System power factor >0.9 and THD <20%
- Terminal block for power input suitable for #8 - #18 AWG wire
- Integral surge protection:
 - For 100~277VAC per IEEE/ANSI C62.41.2, 10kV
- Ambient operating temperature from -40° to 70°C

Qualifications & Ratings

- UL/cUL Listed
 - suitable for wet locations
- RoHS Compliant
- DLC Listed
- IP65 standard rating with optional IP67 rating available
- IP67 standard for LEM assembly
- 3G bridge and overpass vibration-rated per ANSI C136.31
- Compliant with FCC Part 15, Subpart B, Class A & B
- Projected Lumen Maintenance at 25°C ambient is >150,000 calculated L₇₀ hours per TM-21
- Made in USA
- ARRA Compliant

Warranty

- 10 year limited warranty

OPTIONS

Controls

- Available with patented ALLink fully-integrated, adaptive wireless monitoring and control system
 - Includes ALLED’s patented digital photo sensor
 - Available 0-100% dimming
 - [Coming Soon] Smart metering and intelligent surge protection and notification features
- Available with patented ATB [Automated Timer Board] for factory set dimming in dusk to dawn applications
 - Alternative and inexpensive method to further energy savings
 - Includes ALLED’s patented digital photo sensor
 - Available 10-100% dimming
 - Can dim to a preset level after a pre-specified number of hours
 - Available range from 2 to 17 hours in one hour increments

Mounting

- U-mount bracket for under canopy mounting
- Square canopy mount for use with 1/2” conduit

Accessories

- Backlight Shield
 - A shield meant for aiming light Forward from the luminaire
- Full BUG Shield [Coming Soon]
 - A shield meant for creating zero amount of backlight, uplight or glare for Dark Skies compliance

ALLED Lighting Systems

101 Randolph Street | Ellwood City, PA 16117
724.752.0326 | www.alled.co

Making **Green** Brighter!™

