

STREET & ROADWAY SERIES SL5 3 MODULE

RAYDIANT
LED LIGHTING SYSTEM



Product Description

ALLED offers the industry's smartest, toughest and best LED street lighting solutions.

Whether you are replacing every cobra-head fixture in a town/municipality or retrofitting a parking lot with LED lighting for significant energy and maintenance savings, ALLED has a range of fixture types, wattages and output levels that offer the greatest efficiency, reliability and features available.

The revolutionary design of the RAYdiant system delivers unprecedented levels of simplicity, scalability, and cost-efficiency in LED lighting operation and maintenance. With a wide range of luminaire models to replace any street or roadway lighting application up to 1000 watts, the RAYdiant system features the most powerful, intelligent, resilient and reliable LED lighting solution on the market today!

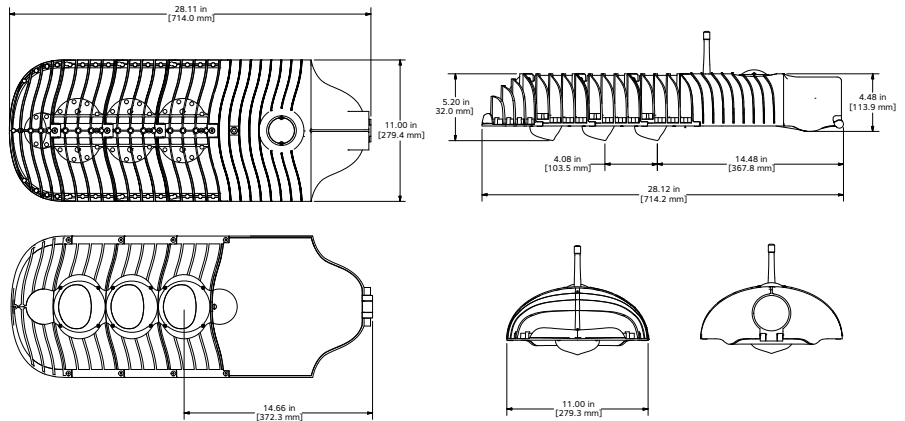
The ALLED SL5 is a perfect solution for street, roadway applications and general area spaces that require lighting.

Comparison

Current Fixture Wattage	ALLED Fixture Wattage
400 watt HPS Cobra-head	168 watts*

(*) This wattage can be used in either 3 or 4 module fixture. The 4 module fixture gives 7.5% higher light output.

Product Dimensions (3 LEMs - 35 lbs)



Ordering Information

Model	Series	Wattage	Voltage	Lens Optics	Color Temperature	Finish	Surge	Control*	Control Options (if applicable)	Photoeye*	Options*
SL5	03	168w	1	T3	4000K	BL	10K	NC	ATB	NP	1APM
			100~277V	Type III	5000K	Black	10Kv Surge Protection (standard)	None	Automatic Timer Board (Factory pre-set)*	No Photoeye	One Adjustable Pivot Arm Module (consult factory)
			2	T4		BR	20Kv	WC	ALL	DPS	
			347V*	Type IV		Gray	20Kv Surge Protection*	With Control	ALLink Wireless Monitoring & Control*	Digital Photo Sensor [only available w/ ALLink or ATB]	
			3	T5		OW				PCR3	
			480V*	Type V		White				NEMA 3-Pin Twist Lock Photo Control Receptacle	
										PCR7	
										NEMA 7-Pin Twist Lock Photo Control Receptacle	

- Any selection with (*) is additional cost/charge
- Choice of ordering through above Ordering Info or refer to Quick Ordering Guide

STREET & ROADWAY SERIES

SL5 3 MODULE

RAYDIANT
LED LIGHTING SYSTEM

Model	Lumens	Lumens / watt	CRI	BUG Rating
SL5-03 (168W)	18,043	109	80+	B3 U3 G3

Construction

- Pressure die cast aluminum housing
- Tool-less entry
- Level adjustment 0°, +5°, or +10°
- Open air/pass-through module enables full moisture and debris flow through and passive chimney "air-flow" cooling of LED chip
- No mechanical or fan cooling of light engines

Finish

- Salt-resistant Dupont SD Polyester powder coat
- Dual salt-resistant powder coats for enhanced protection in marine environments
- Meets 6000 hours of salt-spray test
- Available colors: Black, Bronze, Gray, White and custom [Consult factory]

Light Engine Module & Optical Assembly

- Light engine modules (LEMs) provide the most efficient LED heat reduction thermal path built into the design to allow for passive "air-flow" heat dissipation
- Fully scalable up to 4 LEMs
- Utilizes high-quality Nichia High Brightness COB LED
- Multi-directional lens optics, with 90°, 180°, 270° and 360° rotation capability, provides for directional light distribution and customization of light patterns.
- High impact resistant Borosilicate glass lens optics prevent potential yellowing over time
- Standard 4000K and 5000K +/- 200 color temperature
- Standard 80+ CRI [for higher/lower CRI consult factory]

Electrical

- 100~277V 50/60Hz and optional 347V/480V 60Hz available
- System power factor >0.9 and THD <20%
- Terminal block for power input suitable for #8 - #18 AWG wire
- Integral surge protection:
 - For 100~277VAC per IEEE/ANSI C62.41.2, 10kV
- Ambient operating temperature from -40° to 70°C

Qualifications & Ratings

- UL/cUL Listed
 - suitable for wet locations
- RoHS Compliant
- DLC Listed
- IP65 standard rating with optional IP67 rating available
- IP67 standard for LEM assembly
- 3G bridge and overpass vibration-rated per ANSI C136.31
- Effective Projected Area (EPA): 0.5 sq. ft.
- Compliant with FCC Part 15, Subpart B, Class A & B: IEEE C62.41.2
- Projected Lumen Maintenance at 25°C ambient is >150,000 calculated L70 hours per TM-21
- Made in USA
- ARRA Compliant

Warranty

- 10 year limited warranty

OPTIONS

Controls

- Available with patented ALLink fully-integrated, adaptive wireless monitoring and control system
 - Includes ALLED's patented digital photo sensor
 - Available 0-100% dimming
 - [Coming Soon] Smart metering and intelligent surge protection and notification features also available with ALLink
- Available with patented ATB (Automated Timer Board) for factory set dimming in dusk to dawn applications
 - Alternative and inexpensive method to further energy savings
 - Includes ALLED's patented digital photo sensor
 - Available 10-100% dimming
 - Can dim to a preset level after a pre-specified number of hours
 - Available range from 2 to 17 hours in one hour increments

Mounting

- Standard mount fits 2 3/8 in. O.D.
- Adapters available for 1.25 in. through 2.25 in. O.D. [Consult factory]
- Optional decorative mast pole top mounting arm available [Consult factory]

Accessories

- Backlight Shield
 - A shield meant for aiming light Forward from the luminaire
- Full BUG Shield [Coming Soon]
 - A shield meant for creating zero amount of backlight, uplight or glare for Dark Skies compliance

ALLED Lighting

ALLED Lighting Systems

101 Randolph Street | Ellwood City, PA 16117
724.752.0326 | www.alled.co

Making **Green** Brighter!™

